

GI JOE

THE RISE OF COBRA

1 POWERED BY 1
POWR FUEL™
BATTERIES INCLUDED

x3
 1.5V AAA
 R03 size

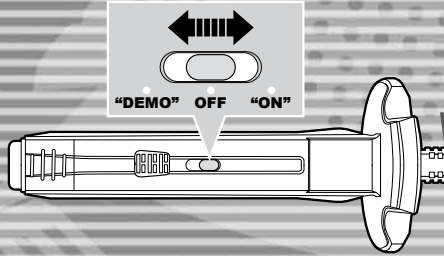
WARNING:

CHOKING HAZARD-Small parts.
 Not for children under 3 years.

AGES 5+

93716/93378 Asst.

Replace with 3 x 1.5V "AAA" or R03 size batteries.
 Alkaline batteries recommended. Phillips/cross head
 screwdriver (not included) needed to replace batteries.



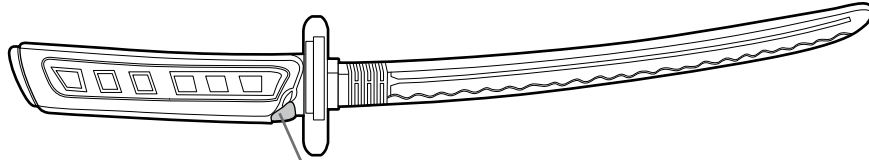
NOTE: THIS PRODUCT IS PACKAGED IN "DEMO" MODE. MOVE THE SWITCH TO THE ON POSITION TO ACTIVATE FULL PLAY FEATURES.



STORM SHADOW™ SWORD & MASK

WITH NINJA STARS

SWORD SOUNDS: PRESS THE BATTLE BUTTON TO HEAR "POWER UP" SOUNDS. HOLD DOWN THE BUTTON AND SWING THE SWORD TO HEAR ACTION SOUNDS.

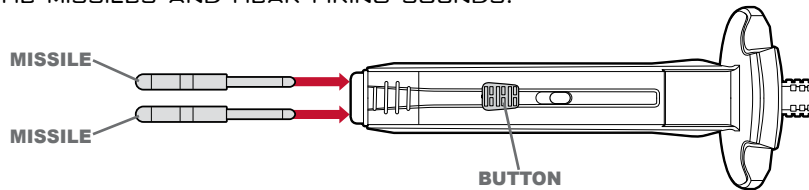


BATTLE BUTTON

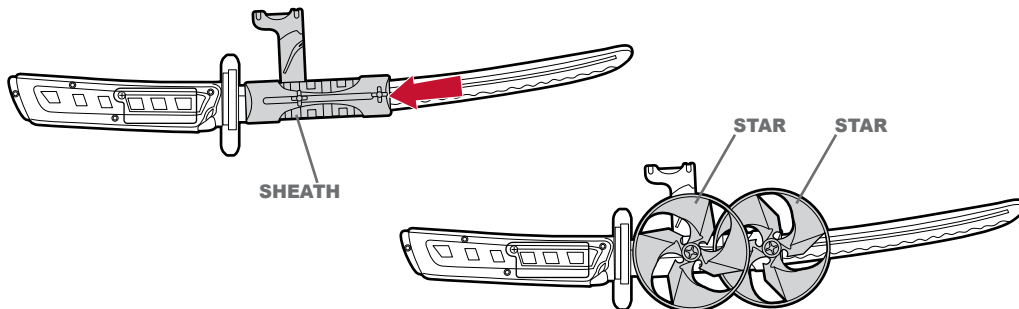
YOU WILL HEAR "STEALTHY" ACTION SOUNDS IF YOU PRESS BUT DO NOT HOLD DOWN THE BATTLE BUTTON WHILE SWINGING THE SWORD. (YOU MUST PRESS THE BUTTON FIRST TO ACTIVATE THE SOUNDS FEATURE.)

**PRESS BUTTON FOR
 LIGHTS &
 WEAPON
 SOUNDS!**

INSERT MISSILES INTO THE CHAMBER. PRESS BUTTON TO LAUNCH THE MISSILES AND HEAR FIRING SOUNDS.



THE SWORD FITS IN THE SHEATH. THE STARS ATTACH TO THE SHEATH AS SHOWN.

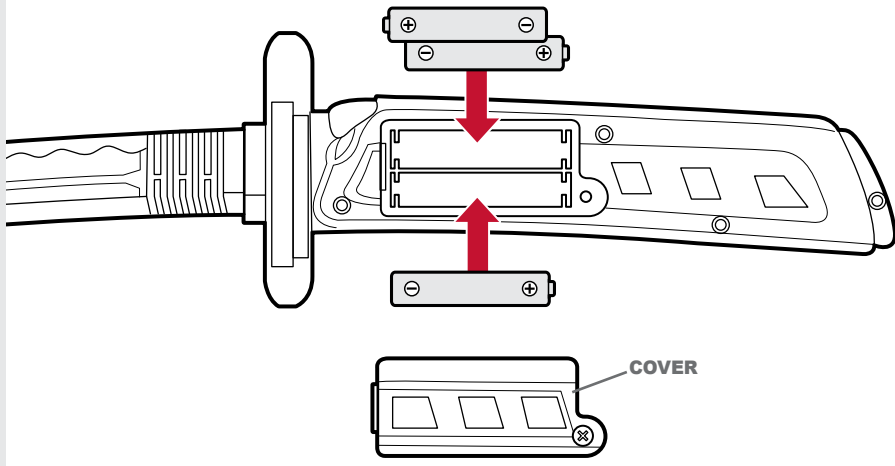


WRISTBANDS: ALWAYS WEAR YOUR ARASHIKAGE™ SYMBOL ON YOUR RIGHT FOREARM TO REMAIN TRUE TO THE PROUD TRADITION OF THE ARASHIKAGE NINJA CLAN.

**SWING
 THE BLADE FOR
 ELECTRONIC
 SWORD
 SOUNDS!**

TO REPLACE BATTERIES:

Use a Phillips/cross head screwdriver (not included) to loosen screw in battery compartment cover (screw remains attached to cover). Remove cover. Remove and discard old batteries. Replace with 3 x 1.5V "AAA or R03 size batteries. Alkaline batteries recommended. Replace cover and tighten screw.



FCC STATEMENT

This device complies with part 15 of the FCC Rules. Operation is subject to the following two conditions: (1) This device may not cause harmful interference, and (2) this device must accept any interference received, including interference that may cause undesired operation. This equipment has been tested and found to comply with the limits for a Class B digital device, pursuant to part 15 of the FCC Rules. These limits are designed to provide reasonable protection against harmful interference in a residential installation. This equipment generates, uses and can radiate radio frequency energy, and, if not installed and used in accordance with the instructions, may cause harmful interference to radio communications. However, there is no guarantee that interference will not occur in a particular installation. If this equipment does cause harmful interference to radio or television reception, which can be determined by turning the equipment off and on, the user is encouraged to try to correct the interference by one or more of the following measures:

- Reorient or relocate the receiving antenna.
- Increase the separation between the equipment and receiver.
- Consult the dealer or an experienced radio/TV technician for help.

CAUTION: Changes or modifications not expressly approved by the party responsible for compliance could void the user's authority to operate the equipment.

IMPORTANT: BATTERY INFORMATION



CAUTION:

1. As with all small batteries, the batteries used with this toy should be kept away from small children who still put things in their mouths. If they are swallowed, promptly see a doctor and have the doctor phone (202) 625-3333 collect. If you reside outside the United States, have the doctor call your local poison control center.
2. Always follow the instructions carefully. Use only batteries specified and be sure to insert them correctly by matching the + and - polarity markings.
3. Do not mix old batteries and new batteries or standard (carbon-zinc) with alkaline batteries.
4. Remove exhausted or dead batteries from the product.
5. Remove batteries if product is not to be played with for a long time.
6. Do not short-circuit the supply terminals.
7. Should this product cause, or be affected by, local electrical interference, move it away from other electrical equipment. Reset (switching off and back on again or removing and re-inserting batteries) if necessary.
8. **RECHARGEABLE BATTERIES:** Do not mix these with any other types of batteries. Always remove from the product before recharging. Recharge batteries under adult supervision. **DO NOT RECHARGE OTHER TYPES OF BATTERIES.**



NOTE TO UK CONSUMERS: This product and its batteries must be disposed of separately at your local waste recycling centre. Do not dispose of in your household waste bin.



VISIT GIJOE.COM FOR MORE G.I. JOE™ vs. COBRA™ ITEMS!

P/N 697360000

SOME POSES MAY REQUIRE HAND SUPPORT. PRODUCT AND COLORS MAY VARY. © 2009 PARAMOUNT PICTURES CORPORATION. ALL RIGHTS RESERVED. ®* AND/OR™* & © 2009 HASBRO. ALL RIGHTS RESERVED. TM & ® DENOTE U.S. TRADEMARKS.



Not suitable for children under 3 years because of small parts - choking hazard.